

LEO 26-36 T[®]

Innovative technology that's convincing!

The advantages

- Minimal load pressure thanks to generously sized dimensions of the powerful rubber crawlers, easy to use on all surfaces (e.g. trimming trees or on expensive floors like marble)
- Hydraulically adjustable height and width of rubber crawlers, can be driven on uneven ground with up to 30% incline, up to 30% climbing ability
- Separately hydraulically controlled outriggers, positionable on an up to 30% gradient, around obstacles, too, such as walls or fences
- Multifunctional mobility, 180° jib and platform rotation, permits work around corners and around obstacles. This is a big advantage in tight areas.
- Power supplied by a super-sound-proofed motor or mains electricity, permits work in quiet zones (e.g. hospitals, public buildings)
- Small transport dimensions, exceptionally easy to transport
- All functions can be controlled from the platform and on the ground with a multichannel radio control, easy to operate



Assembling glass elements



Trimming trees



Rough terrain



On sensitive floors



Cleaning windows in lobby



Even through the smallest doors



Truck-mounted platform ≤ 7,5 t



Tel.: +971 4 885 6065 • Fax: +971 4 885 6034
 P.O. Box 213645 Dubai Investment Park, Dubai, U.A.E.
 Email: andygatling@manliftgroup.com
www.manliftgroup.com

LEO 36 T

Technical Data*



Aerial Work Platform **TEUPEN[®] hyLIFT[®]**

LEO 36 T

Working height:	approx. 35,50 m
Cage floor height:	approx. 33,50 m
Lateral outreach to either side at 200 kgs:	approx. 13,90 m
at 80 kgs:	approx. 15,60 m
Safe load on cage:	max. 200 kgs
Working cage rot. hydr. around:	180°
Swivelling range of art. top boom:	180°
Size of working cage (LxWxH):	approx. 1,2 x 0,8 x 1,1m
Overall length in travelling position:	approx. 8,10 m
Overall width in travelling position min.:	approx. 1,58 m
Overall height in travelling position min.:	approx. 1,98 m
Range of rotation:	approx. 450°
Total weight:	approx. 4850 kgs
Max. load on jack plate per plate.:	approx. 35 kN
Size of stabilizing jack plate:	approx. 0,31 m x 0,22 m
Surface load in standard work position:	approx. 2,4 kN/m ²
Ground pressure in travelling position:	approx. 6,4 N/cm ²
Standard jacked area (LxW) min.:	approx. 4,89 x 4,34 m
Loading possibility (WxH) max.:	approx. 2,40 x 1,10 m
To be jacked up to ground slope:	approx. 20 %
Chassis to be adj. in height hydr. by:	approx. 0,22 m
Ground clearance:	approx. 0,31 m
Climbability:	approx. 20 %
Travelling speed up to:	approx. 0 to 3 km/h
Range of wireless control:	approx. 100 m
Control voltage:	24 V
Electric-drive:	230 V / 400 V

Technical data for cut-out setting at 29 m

Working height:	approx. 29,00 m
Cage floor height:	approx. 27,00 m
Restricted range of rotation (one side narrow):	180°

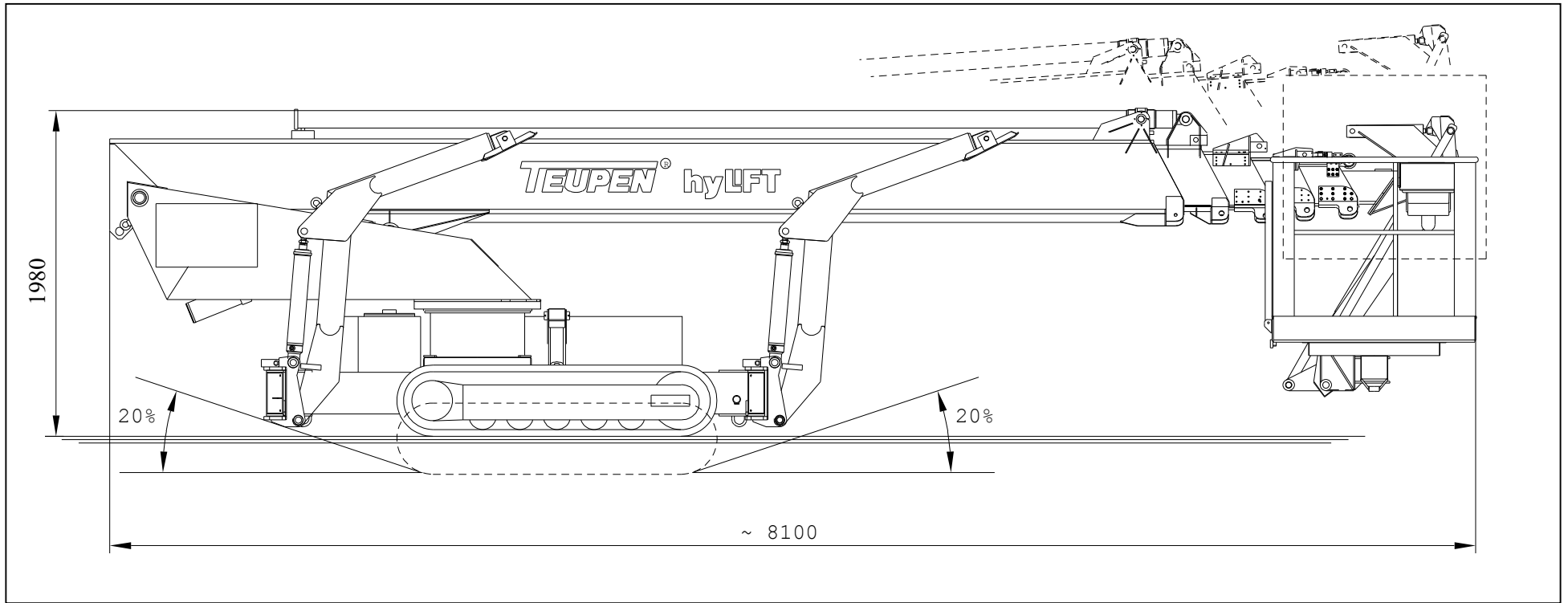
Driving engine Kubota D 1005-E

Vertical, water-cooled, 3-cylinder 4-cycle diesel engine	
Cubic capacity:	1001 cm ³
Maximum output:	15.1 kW (20 HP)
Fuel type:	Diesel
Noise emission:	approx. 77 dB (A) (at a distance of 7 m)

*Technical data with standard equipment!

Alterations in construction reserved!

As at 23.11.07



Alteration in construction reserved!

MANLIFT 

P.O. Box 213645, Dubai Investment Park, Dubai, U.A.E.

Tel.: +971 4 885 6065 • Fax: +971 4 885 6034 • Email: info@manliftgroup.com • www.manliftgroup.com

