

# LEO 40 GTX

## Technical Data of\*

**TEUPEN<sup>®</sup>hyLIFT<sup>®</sup>**



### LEO 40 GTX

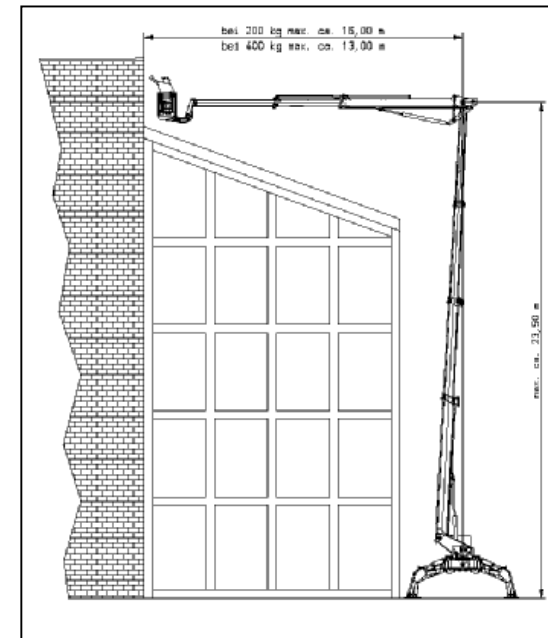
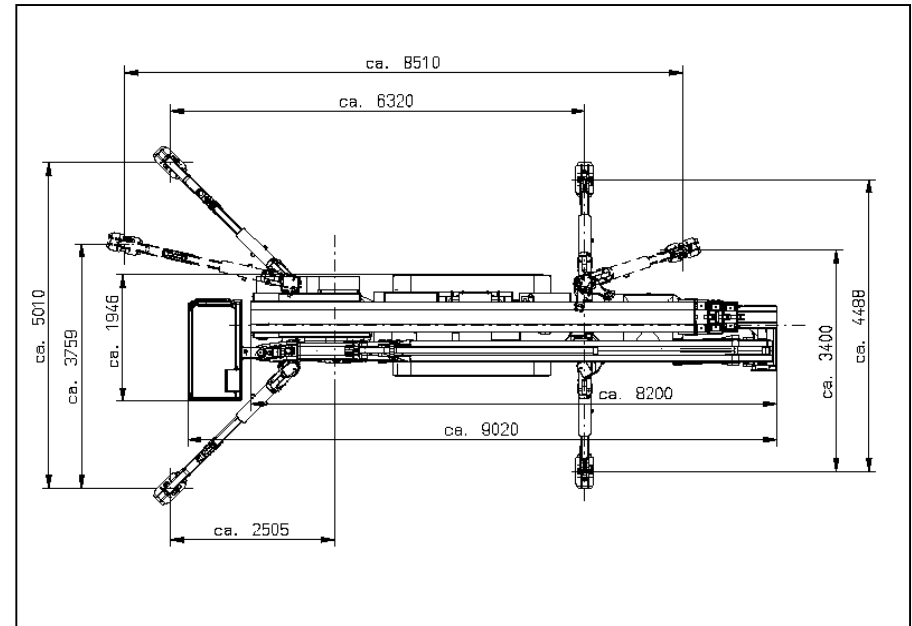
#### Aerial Work Platform

Working height	200 kg:	approx. 39,50 m
Cage floor height	200 kg:	approx. 37,50 m
Lateral outreach to either side	200 kg:	approx. 16,00 m
Working height	<b>400 kg:</b>	approx. 36,50 m
Cage floor height	<b>400 kg:</b>	approx. 34,50 m
Lateral outreach to either side	<b>400 kg:</b>	approx. 13,00 m
Articulation height:		approx. 23,50 m
Safe load on cage:		max. 400 kgs
Working cage rot. hydr. around:		180°
Basket change system with basket (LxWxH)		1,5 x 0,8 x 1,1 m
Overall length in travelling position:		approx. 8,20 m
Overall width in travelling position min.:		approx: 1,58 m
Overall height in travelling position min.:		approx: 1,98 m
Trailing load:		approx: 11,7 t
Jacked width (centre of jack plate):		min. 5,01 m
Jacked with one side narrow (centre of jack plate):		min. 3,76 m
Range of rotation:		approx. 450°
Restricted range of rotation one side narrow:		approx. 120°
Size of stabilizing jack plate:		0,52 m x 0,27 m
Max. load on jack plate per plate:		approx. 75 kN
Live load in standard work position:		approx. 4,00kN/m <sup>2</sup>
Live load in travelling position**		approx. 4,80kN/m <sup>2</sup>
To be jacked up to ground slope of:		approx. 30 %
Angle of slope:		approx. 30 %
Climbing ability:		approx. 30 %
Height-adustable crawlers:		approx. 0,5 m
Crawler width:		approx. 0,4 m
Driving speed:		approx.0 -1,6km/h
Nominal input voltage:		400 V / 32 A

#### Driving engine Kubota - Diesel V 2203- M

Manufacturer:	Kubota
Type:	V 2203 -M
No. of cylinders:	4 in line
Cubic capacity:	2197 ccm
Cooling system:	Water cooled
Max. output:	36 kW
Fuel tank capacity:	approx.68 Liter

\* Technical data with standard equipment!  
\*\* (with cordon 10 m x 2,4 m)



#### Dubai Head Office:

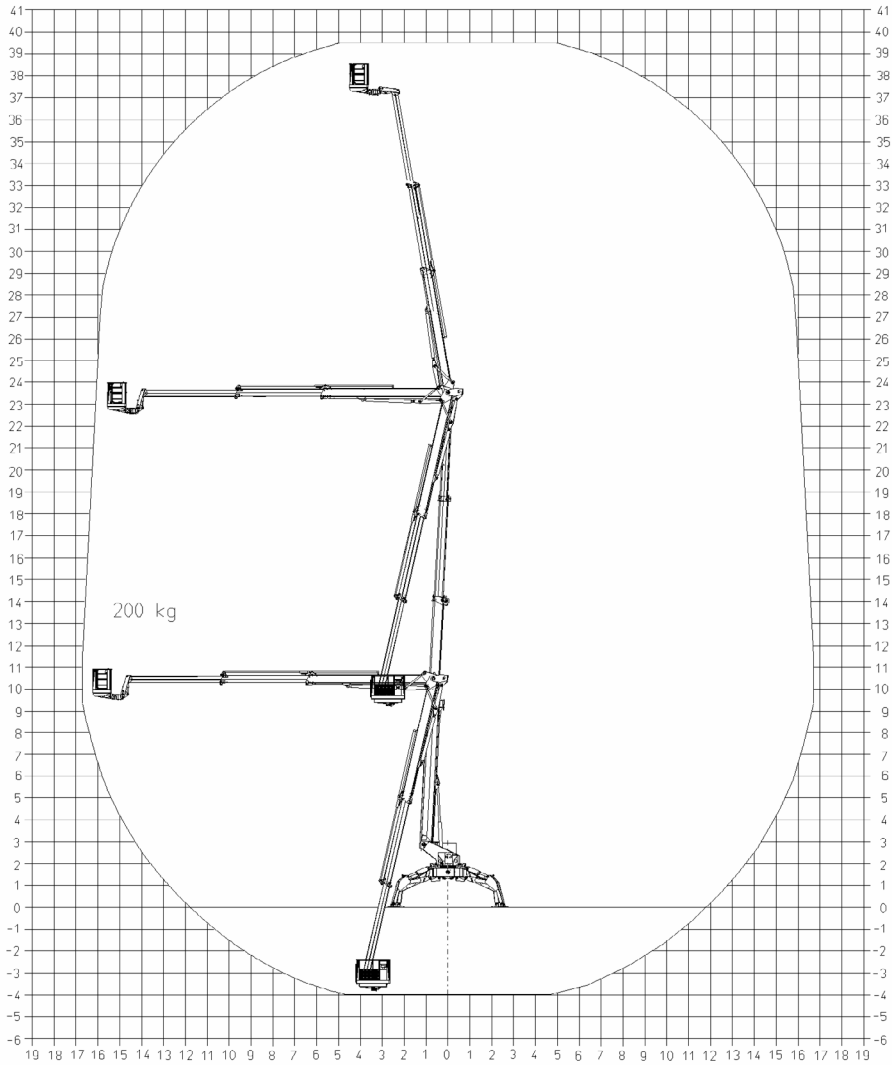
P.O. Box 213645, Dubai, U.A.E.  
Tel: +971 4 885 6065  
Fax: +971 4 885 6034  
info@manliftgroup.com

#### Abu Dhabi Branch:

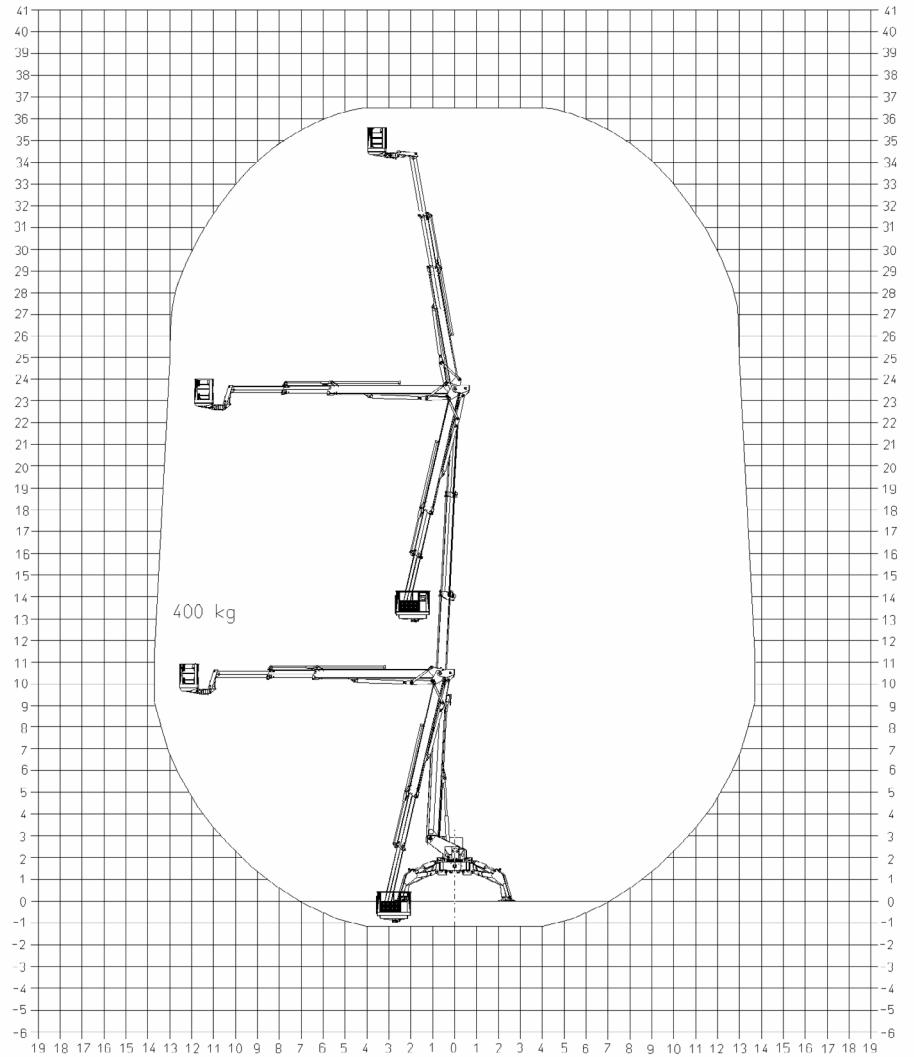
P.O. Box 95024, Abu Dhabi, U.A.E.  
Tel: +971 2 550 2621  
Fax: +971 2 550 2623  
abudhabi@manliftgroup.com

#### Qatar Branch:

P.O. Box 23135, Doha, Qatar  
Tel: +974 351 0131  
Fax: +974 466 6436  
qatar@manliftgroup.com



Working range with 200 kg cage load



Working range with 400 kg cage load



**Dubai Head Office:**  
 P.O. Box 213645, Dubai, U.A.E.  
 Tel: +971 4 885 6065  
 Fax: +971 4 885 6034  
 info@manliftgroup.com

**Abu Dhabi Branch:**  
 P.O. Box 95024, Abu Dhabi, U.A.E.  
 Tel: +971 2 550 2621  
 Fax: +971 2 550 2623  
 abudhabi@manliftgroup.com

**Qatar Branch:**  
 P.O. Box 23135, Doha, Qatar  
 Tel: +974 351 0131  
 Fax: +974 466 6436  
 qatar@manliftgroup.com