

MANLIFT

Manlift also provides leading edge temporary power solutions through an extensive fleet of diesel generators.

Manlift Generator Rentals

Key service offerings include:

- Generator unit rentals from 30kVA to 1250kVA
- Turnkey synchronised power solutions up to 50MWe
- Dedicated International Power Projects Team
- Ancillary equipment available (Fuel Tanks, Cables, etc.)
- 24 hrs. technical support 7 days per week

MLP Generator Sales

Key service offerings include:

- Ex-Stock generator unit sales from 10kVA to 2000kVA
- Turnkey permanent power installations up to 50MWe
- UK Manufactured engines: Cummins, Perkins, Lister Perrer
- Ancillary equipment also available (Fuel Tanks, Cables, etc.)
- After sale service contracts and ex-stock spare parts also available



MANLIFT Power LLC

www.manliftgroup.com

Dubai Head Office:

P.O. Box 213645, Dubai, U.A.E.
Tel: +971 4 885 6065
Fax: +971 4 885 6034
info@manliftgroup.com

Abu Dhabi Branch:

P.O. Box 95024, Abu Dhabi, U.A.E.
Tel: +971 2 550 2621
Fax: +971 2 550 2623
abudhabi@manliftgroup.com

Qatar Branch:

P.O. Box 23135, Doha, Qatar
Tel: +974 4490 4946
Fax: +974 4490 4947
qatar@manliftgroup.com

India Branch:

110002, New Delhi, India
Tel: +91 11 4141 6556
Fax: +91 11 4141 6557
india@manliftgroup.com

MANLIFT

ACCESS PLATFORMS



RENTAL • SALES



MANLIFT MIDDLE EAST INTRODUCTION

Manlift Middle East provides powered access solutions through an extensive fleet of Access Platforms.

Our Key Service offerings include:

- Comprehensive fleet of over 1000 Manlifts
- 24 Hours support, 7 days per week
- Manlifts from 5m - 50m in height
- Training given on each machine rented
- Specialty equipment available (Truck & trailer mounted boom lifts, crawler chassis and extra large baskets)
- Service engineers trained to EU standards

Platforms in the Manlift fleet are offered with the following options:

- Straight & articulated boom lifts, scissor lifts and spider lifts
- Original spare parts in stock
- Electric, diesel, battery or dual power sources
- Stocks of new and used equipment available in UAE & Europe for immediate delivery
- All terrain, tracked, 4x4 and indoor capable chassis

Manlift IPAF Training Centre:

- Manlift is a certified training centre for the International Powered Access Federation (IPAF)
- We offer tailored training courses to suit your requirements
- Certification is valid for 5 years and is now the recognized industry standard in the GCC

MANLIFT Access Platforms

- Diesel Powered • Battery Powered
- Indoor • Outdoor • Rough Terrain

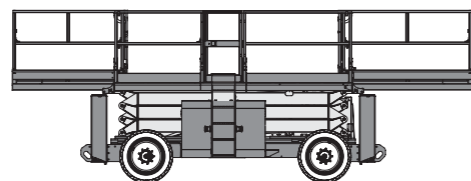
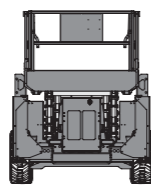


- TELESCOPIC BOOMS
- ARTICULATED BOOMS
- SPIDER LIFTS
- SCISSOR LIFTS
- PERSONAL LIFTS
- CRAWLER MOUNTS
- TRAILER MOUNTS
- TRUCK MOUNTS

SCISSOR LIFT RANGE

REACH SPECIFICATIONS

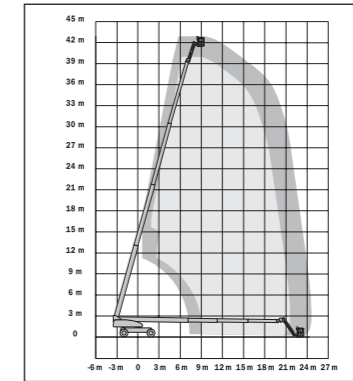
Models	Working Height	Machine Width	Gross Weight
G-320	33.70 m	2.98 m	31,200 kg
N-265	28.20 m	1.32 m	18,770 kg
203-24	20.30 m	2.40 m	11,400 kg
5390 RT	18.15 m	2.29 m	7,537 kg
4394 RT	15.11 m	2.39 m	6,900 kg
4069 LE	14.00 m	1.75 m	4,790 kg
3772 RT	13.00 m	1.83 m	3,800 kg
3394 RT	12.00 m	2.39 m	5,850 kg
X32	12.00 m	1.22 m	2,486 kg
260 MRT	10.00 m	1.75 m	3,300 kg
X26	10.00 m	1.22 m	2,153 kg
MEC1932	8.00 m	0.80 m	1,300 kg



TELESCOPIC BOOMS

REACH SPECIFICATIONS

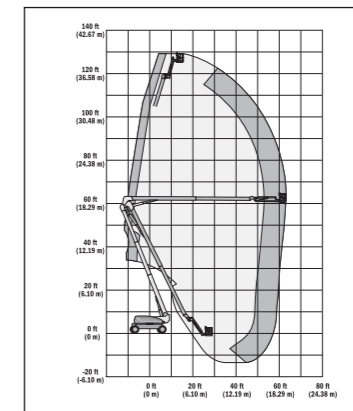
Models	Working Height	Machine Width	Gross Weight
1350 SJP	43.00 m	2.49 m	20,411 kg
1200 SJP	36.58 m	2.49 m	18,650 kg
860 SJ	28.00 m	2.49 m	16,490 kg
680 S	23.00 m	2.49 m	15,900 kg
660 SJ	22.00 m	2.41 m	12,519 kg
600 SC	19.00 m	2.41 m	10,841 kg
460 SJ	16.00 m	2.34 m	7,850 kg



ARTICULATED BOOMS

REACH SPECIFICATIONS

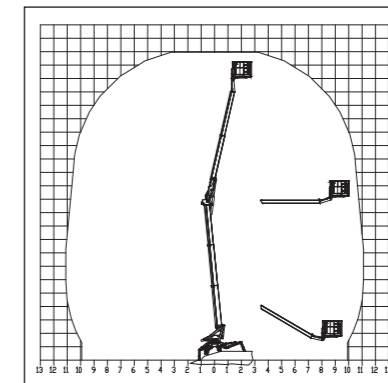
Models	Working Height	Machine Width	Gross Weight
150 HAX	47.00 m	3.50 m	26,300 kg
Z-135/70	43.15 m	3.94 m	20,366 kg
1250 AJP	40.00 m	2.49 m	19,958 kg
800 AJ	26.00 m	2.44 m	15,030 kg
600 AJ	20.00 m	2.44 m	10,069 kg
E600 JP	20.00 m	2.44 m	7,000 kg
450 AJ	15.70 m	1.98 m	7,100 kg
E450 AJ	15.70 m	1.75 m	6,532 kg
AB38	13.50 m	1.75 m	3,800 kg



SPIDER RANGE

REACH SPECIFICATIONS

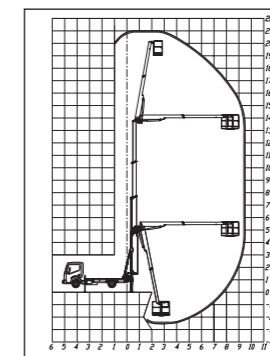
Models	Working Height	Machine Width	Gross Weight
LEO 50GT	50.00 m	1.58 m	13,400 kg
LEO 40GTX	40.00 m	1.58 m	11,700 kg
LEO 36T	35.50 m	1.58 m	4,850 kg
LEO 30T	30.00 m	1.58 m	4,200 kg
LEO 25T	25.00 m	1.78 m	2,980 kg
LEO 23GT	23.00 m	0.98 m	3,000 kg
LEO 18GT	18.00 m	0.78 m	2,330 kg
LEO 15GT	15.00 m	0.78 m	1,920 kg



TRUCK MOUNTED BOOMS

REACH SPECIFICATIONS

Models	Working Height	Basket Capacity	Gross Weight
TL15	14.50 m	225 kg	3,500 kg
TL18	18.00 m	225 kg	3,500 kg
TL21	21.00 m	200 kg	3,500 kg
TP24	23.70 m	225 kg	3,500 kg
TL35	35.00 m	300 kg	18,000 kg
TL70	68.50 m	600 kg	32,000 kg



N.B. Product improvement and range expansion is a continuous goal at Manlift. Exact access platform specifications supplied may vary from the above table without notice or obligation.

